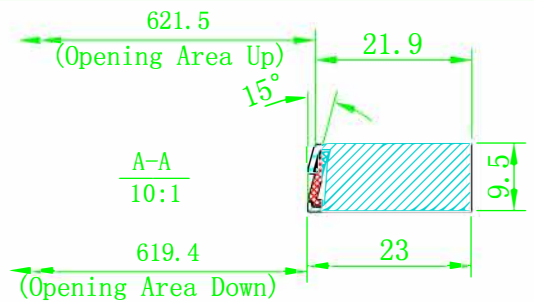
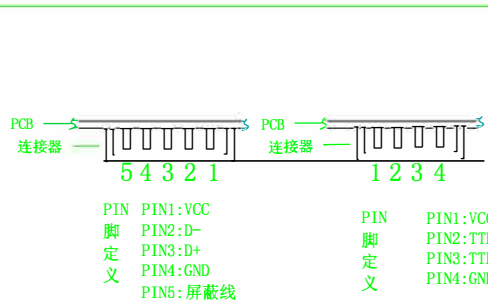
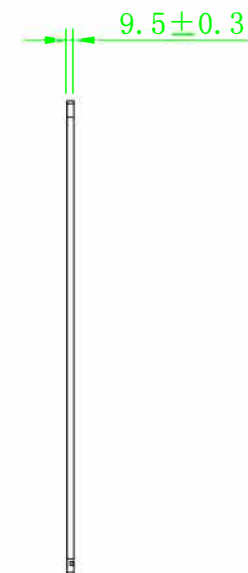
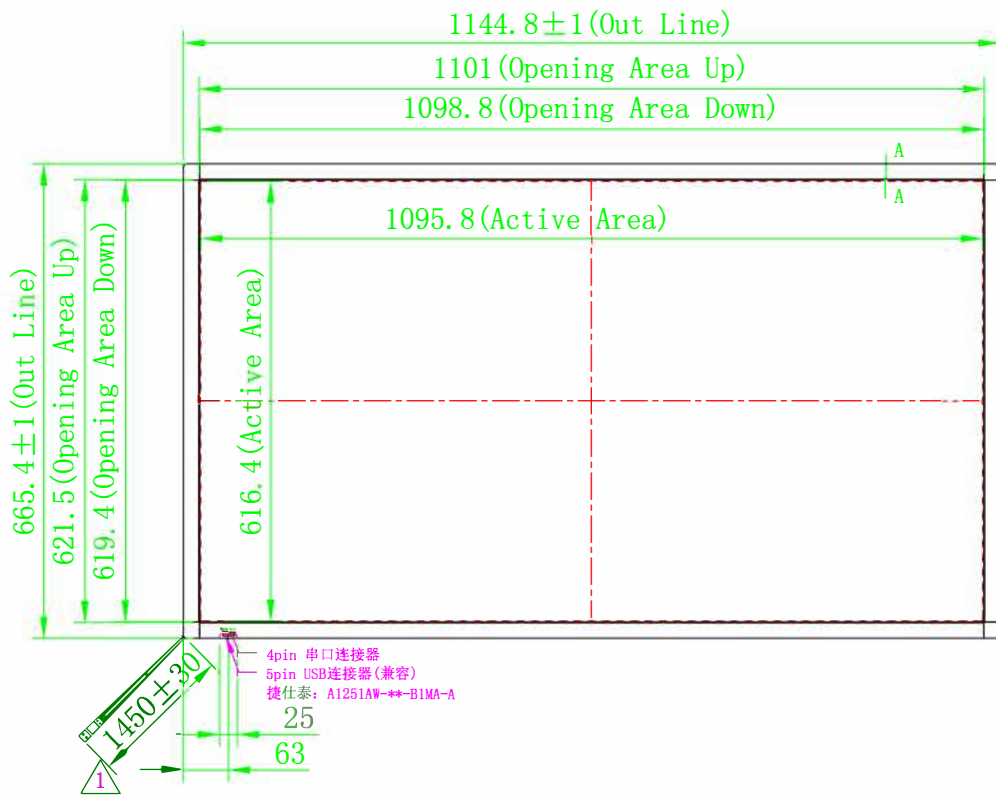


LOGO	REV.	Date	Changes
△	1.1	20140806	修改USB线材长度
△			
△			



TOLERANCES
(UNLESS OTHERWISE STATED)

DECIMALS	ANGLES	±0.5°
1600 < X ≤ 2000mm	±0.00mm	
1200 < X ≤ 1600mm	±1.20mm	
800 < X ≤ 1200mm	±0.80mm	
400 < X ≤ 800mm	±0.50mm	
120 < X ≤ 400mm	±0.40mm	
30 < X ≤ 120mm	±0.30mm	
≤ 30mm	±0.20mm	
	±0.10mm	

THIRD ANGLE PROJECTION

A1Touch Solution BV

MODEL NO.	AO-TFT50-IR-10-USB-PNB		
PART No.	1020152796	SCALE	1:1
PART NAME		REV.	1.1
UNIT	mm	SIZE	FREE
MATERIAL		SHEET	1/1
SURFACE		CHK'D	
DRAWN		APP'D	

NOTES: