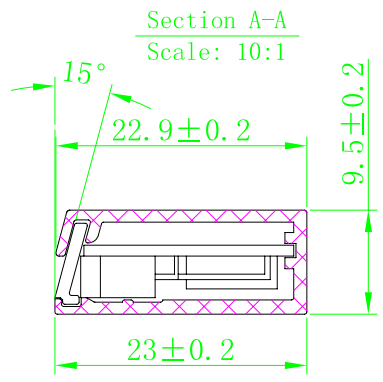
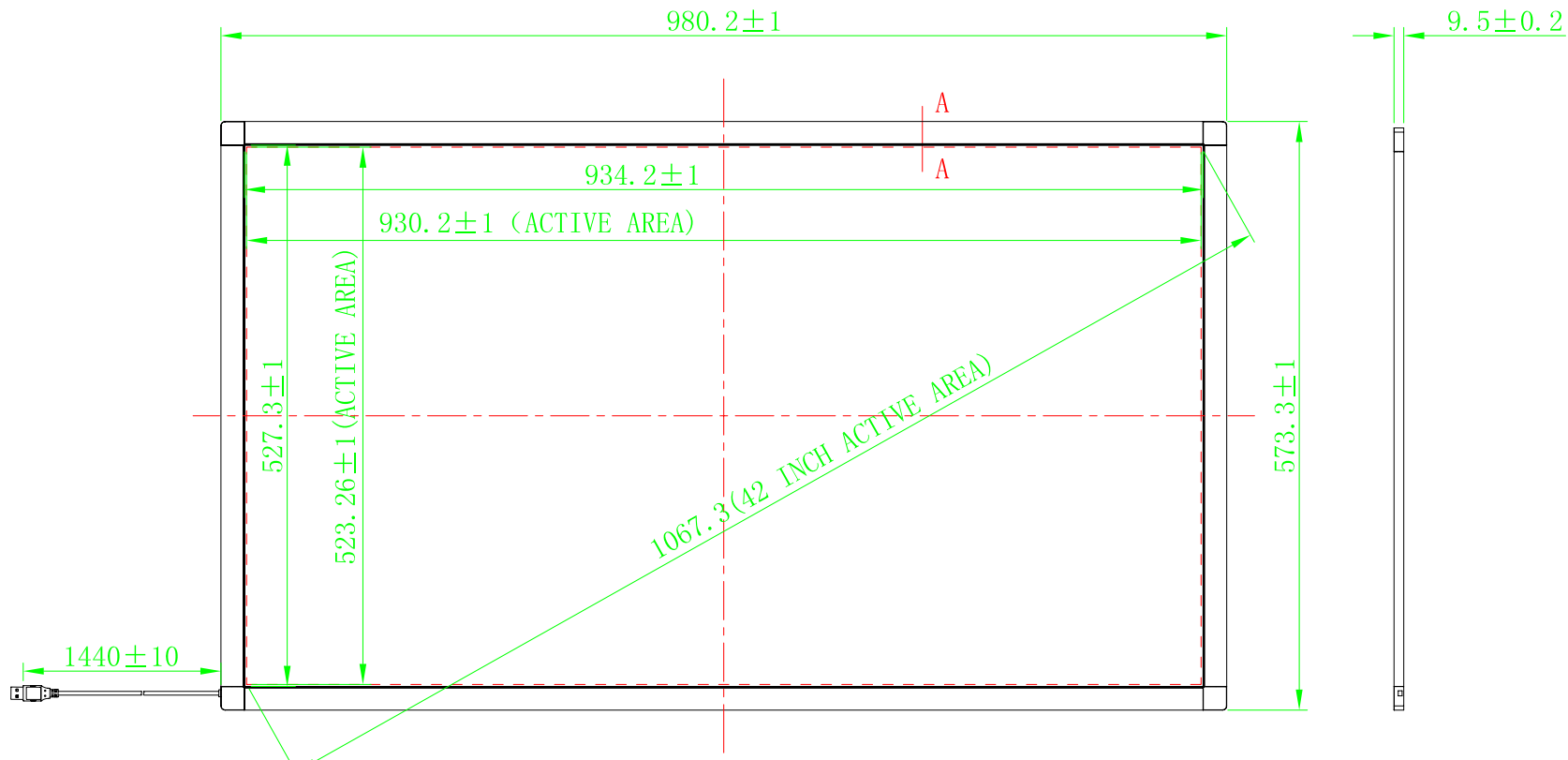
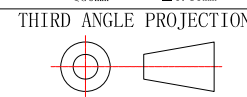


8	7	6	5	4	3	2	1	
Material Code	specification	980.2×573.3×9.5mm-V1.0			LOGO	REV.	Date	Changes
					△			
					△			
					△			



Remarks:
 1. Reference design: AU Screen.
 2. The product is without the glass.

TOLERANCES (UNLESS OTHERWISE STATED)		A1Touch Solution BV	
DECIMALS	ANGLES	MODEL NO.	AO-TFT42-IR-10-USB-PNB
> 2000mm	± 2.00mm	PART No.	1020152794
1600 < X ≤ 2000mm	± 1.20mm	SCALE	1:1
1200 < X ≤ 1600mm	± 0.80mm	REV.	1.0
800 < X ≤ 1200mm	± 0.50mm	PART NAME	
400 < X ≤ 800mm	± 0.40mm	UNIT	mm
120 < X ≤ 400mm	± 0.30mm	SIZE	FREE
30 < X ≤ 120mm	± 0.20mm	SHEET	1/1
≤ 30mm	± 0.10mm	MATERIAL	



NOTES:
 CHK' D
 APP' D