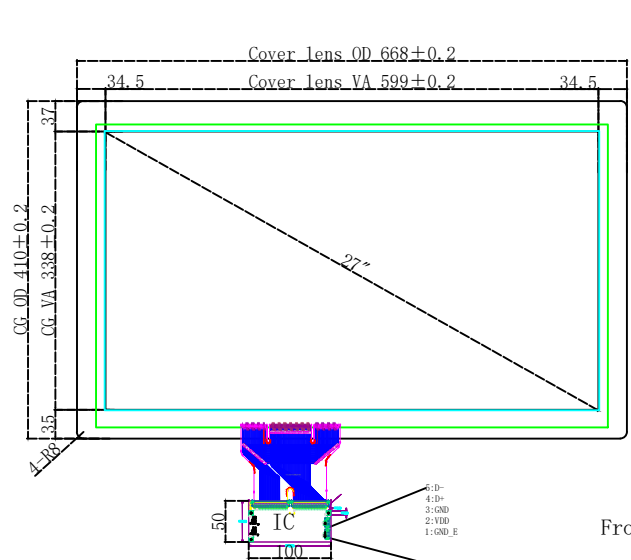
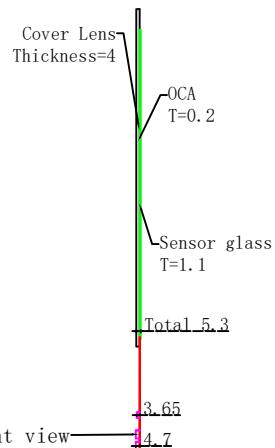


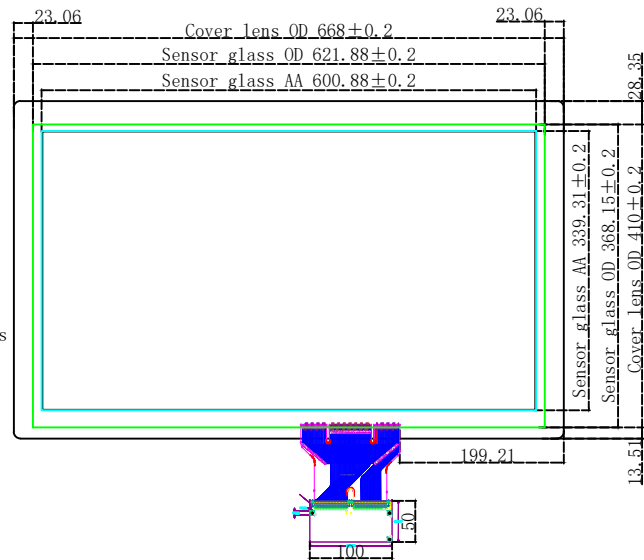
Version	Mark	Revised Contents	Date	Sign
	△			



Front view



Side view



Back view

Technical Parameters

- 0: Interface :USB/UART
- 1: Touch point: 10 (win7 and win8) , (UART touch point:2)
- 2: Cover lens + sensor glass + OCA+FPC
- 3: Cover lens Thickness = 4mm
- 4: sensor glass Thickness = 1.1mm
- 5: OCA Thickness = 0.2mm
- 6: FPC Thickness = 0.1mm
- 7: Total Thickness =5.3mm
- 8: Sensor Process: Print Process (ITO Pattern +Metal line)
- 9: Input Voltage 3.5V~5.5V. Typical 5V
- 10: Transmittance:>85%
- 11: Surface Hardness:>6H
- 12: Relative Humidity:95% at 60°C, RH Non-condensing
- 13: Dimension tolerance:±0.2mm

A1Touch Solution BV					
Drawing By	OL	2017.04.07	Materials	Glass	27"
Checked By			Scale	1:1	
Approved By			Units	mm	Drawing Name
			Page: 1	Amount Page: 1	Drawing No.
					A1T-27-025-V1