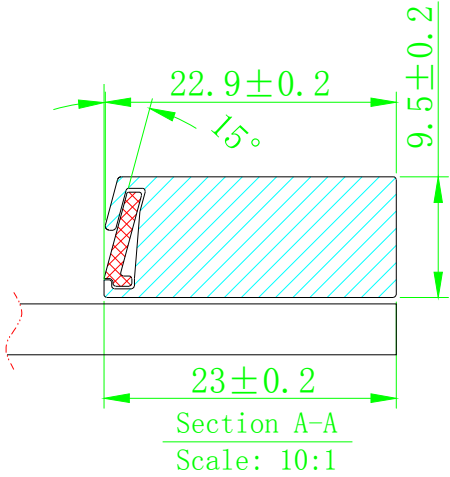
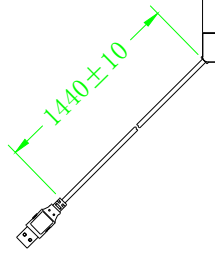
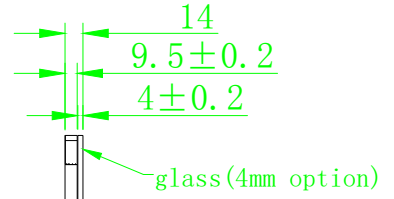
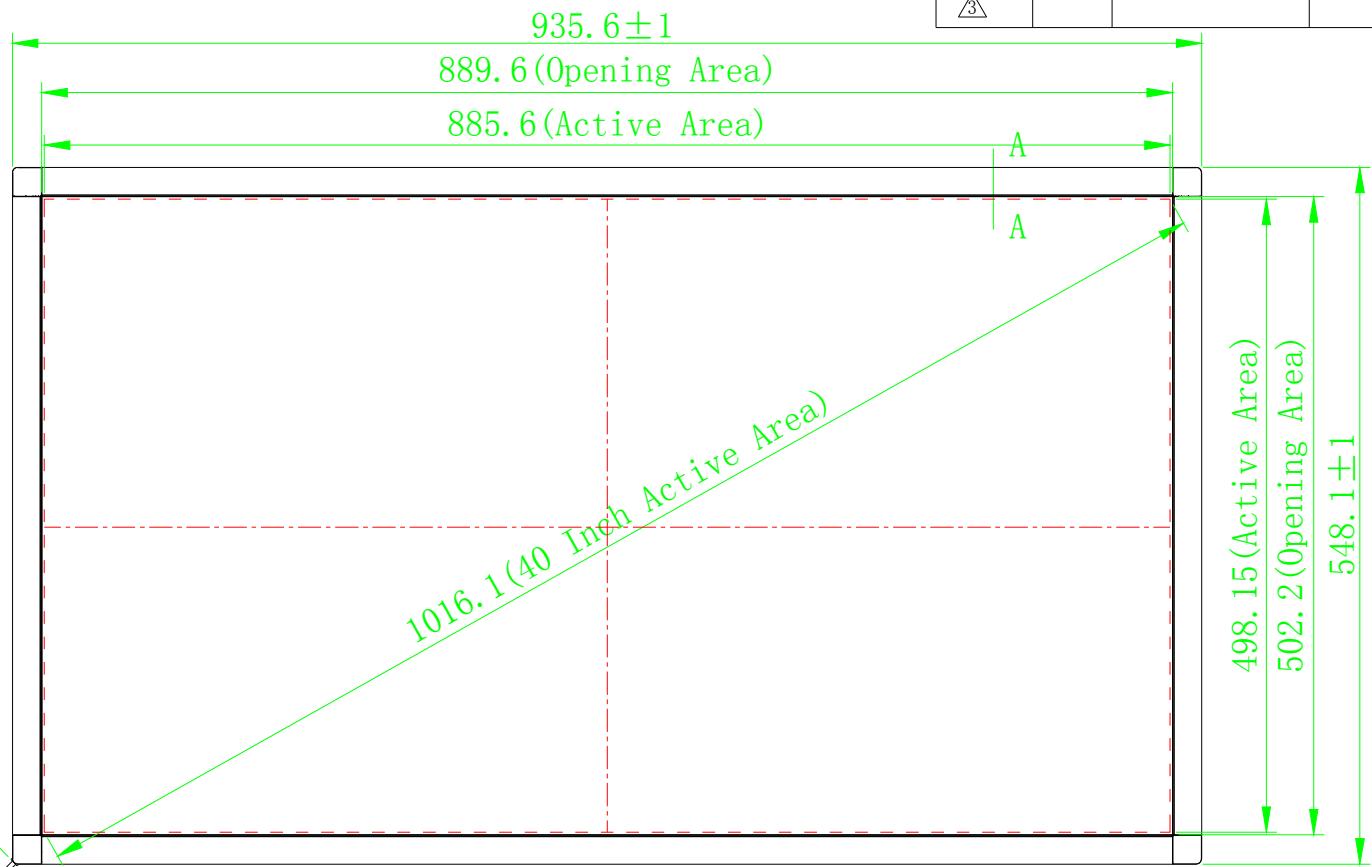


LOGO	REV.	Date	Changes
△1			
△2			
△3			



Remarks:
 1. Reference design: AU Screen.
 2. The product is without the glass.

TOLERANCES (UNLESS OTHERWISE STATED)	
DECIMALS	ANGLES ± 1°
> 300mm	± 0.30mm
200 < X ≤ 300mm	± 0.25mm
150 < X ≤ 200mm	± 0.20mm
100 < X ≤ 150mm	± 0.15mm
50 < X ≤ 100mm	± 0.10mm
25 < X ≤ 50mm	± 0.08mm
8 < X ≤ 25mm	± 0.05mm
≤ 8mm	± 0.03mm

THIRD ANGLE PROJECTION

A1Touch Solution BV			
MODEL NO.	AO-TFT40-IR-10-USB-PNB		
PART No.	1020152793	SCALE	1:1
PART NAME		REV.	1.0
UNIT	mm	SIZE	FREE
MATERIAL		SHEET	1/1
SURFACE		CHK' D	
DRAWN		APP' D	

NOTES: