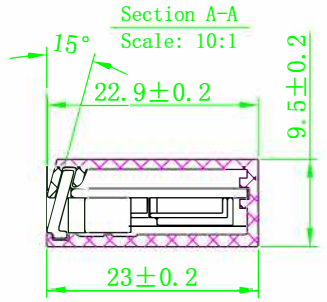


LOGO	REV.	Date	Changes
△1			
△2			
△3			

Remarks:
 1. Reference design: AU Screen.
 2. The product is without the glass.



TOLERANCES
 (UNLESS OTHERWISE STATED)

DECIMALS	ANGLES	±0.5°
$>2000\text{mm}$	$\pm 2.00\text{mm}$	
$1600 < x \leq 2000\text{mm}$	$\pm 1.20\text{mm}$	
$1200 < x \leq 1600\text{mm}$	$\pm 0.80\text{mm}$	
$800 < x \leq 1200\text{mm}$	$\pm 0.50\text{mm}$	
$400 < x \leq 800\text{mm}$	$\pm 0.40\text{mm}$	
$120 < x \leq 400\text{mm}$	$\pm 0.30\text{mm}$	
$30 < x \leq 120\text{mm}$	$\pm 0.20\text{mm}$	
$\leq 30\text{mm}$	$\pm 0.10\text{mm}$	

THIRD ANGLE PROJECTION

A1Touch Solution BV

MODEL NO.	AO-TFT55-IR-10-USB-PNB			NOTES:
PART No.	1020152797	SCALE	1:1	
PART NAME	Product structure diagram	REV.	1.0	
UNIT	mm	SIZE	FREE	
MATERIAL		SHEET	1/1	
DRAWN			CHK' D	
CHK' D			APP' D	