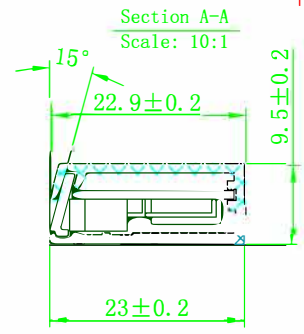


Material Code      specification

LOGO	REV.	Date	Changes
△			
△			
△			

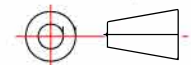
1. Reference design: AU Screen.  
2. The product is without the glass.



TOLERANCES  
(UNLESS OTHERWISE STATED)

DECIMALS	ANGLES	±0.5°
>2000mm		±2.00mm
1600 < x ≤ 2000mm		±1.20mm
1200 < x ≤ 1600mm		±0.80mm
800 < x ≤ 1200mm		±0.50mm
400 < x ≤ 800mm		±0.40mm
120 < x ≤ 400mm		±0.30mm
30 < x ≤ 120mm		±0.20mm
≤ 30mm		±0.10mm

THIRD ANGLE PROJECTION



# A1Touch Solution BV

MODEL NO.	AO-TFT66-IR-10-USB-PNB			NOTES:
PART No.	1020152799	SCALE	1:1	
PART NAME		REV.	1.0	
UNIT	mm	SIZE	FREE	
MATERIAL		SHEET	1/1	
DRAWN			CHK' D	
CHK' D			APP' D	