

# USER'S MANUAL

AOD/ATS 150 (15" 4:3) metal case monitor



Standard type,  
also available as:



Black  
panelmount



RVS panelmount



Hinges



**A1Touch Solution BV**

Hogeweg 21  
NL-6367 BA Voerendaal  
The Netherlands

☎ : +31-(0)45 574 81 90

📄 : +31-(0)45 574 81 91

✉ : [info@A1TouchSolution.nl](mailto:info@A1TouchSolution.nl)

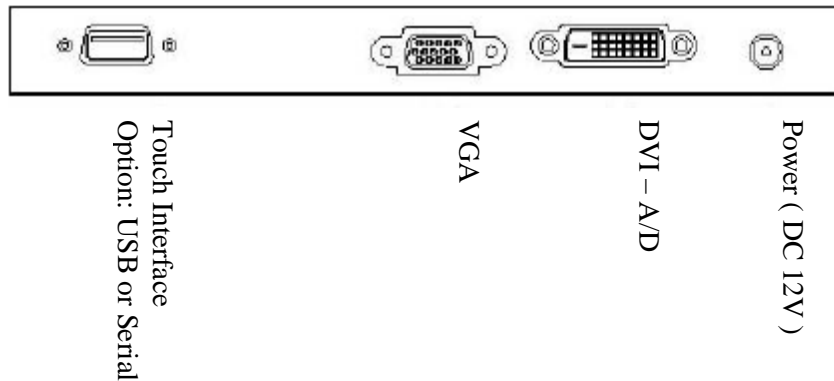
🌐 : [www.A1TouchSolution.nl](http://www.A1TouchSolution.nl)

# Contents:

- 1. Monitor User's Manual**
  - 1.0. Connection to the monitor
  - 1.1. Installation
  - 1.2. Features
  - 1.3. Plug and play function
  - 1.4. Safety Precaution
  - 1.5. OSD (On-Screen-Menu)
  - 1.6. OSD Menu
  - 1.7. Specifications
  - 1.8. Contents of the retail package
  - 1.9. Troubleshooting
  - 1.10. Drawing
  
- 2. Touch options**
  - 2.0. Touch options related to monitor size
  - 2.1. 5-Wire resistive touchscreen
  - 2.2. SAW touchscreen
  - 2.3. CAP touchscreen
  - 2.4. Projected capacitive
  - 2.5. IR touchscreen
  
- 3. Software**
  - 3.0. Touchkit
  - 3.1. ELO
  
- 4. Mounting**
  - 4.0. Overzicht
  - 4.1. Plain
  - 4.2. Brackets
  - 4.3. Panel mounting
  - 4.4. On-Wall mounting
  - 4.5. In-Wall mounting
  - 4.6. 19" Rack mount

# 1. Monitor User's Manual

## 1.0 Connection To the Monitor



## 1.1 Installation

- Connect the signal (VGA or DVI) cable to the VGA or DVI/HDMI port of computer. Tighten the two thumbscrews by turning clockwise.
- You can adjust the connection for your PC environment.
- Plug the DC cord of the AC adapter to the power connector and the plug the end of AC adapter to and electrical outlet socket(110V/220V)
- Connect DC cord of adapter (12V DC) (option=24V) to the monitor..

## 1.2 Features

- AOD/ATS 150 is a WVGA (1024x768 pixels) LCD monitor.
- You can adjust brightness, contrast, horizontal & vertical positions by OSD menus and use auto adjust function for instant adjustment.
- High-qualified LCD Controller inside
- Compact space saving design and power saving mode
- 100% compatible with Windows PC environment without the installation of driver CD or software program for touchscreen via our website [www.a1touchsolution.nl](http://www.a1touchsolution.nl) available.

## 1.3 Plug and Play Function

AOD/ATS 150 can be installed and connected automatically to any computer systems without driver CD or software programs. Monitor will recognize the optimized value of video mode by DDC(Display Data Channel) method that makes the graphic card of computer to communicate with the monitor.

AOD150 supports VESA DDC 1/2B.

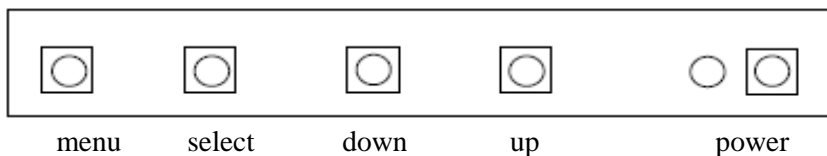
## 1.4 Safety Precaution

We strongly recommend that you carefully read this User's Manual before operating your LCD monitor. FOLLOW INSTRUCTIONS in this manual.

Please read and comprehend all using directives before use this machine.

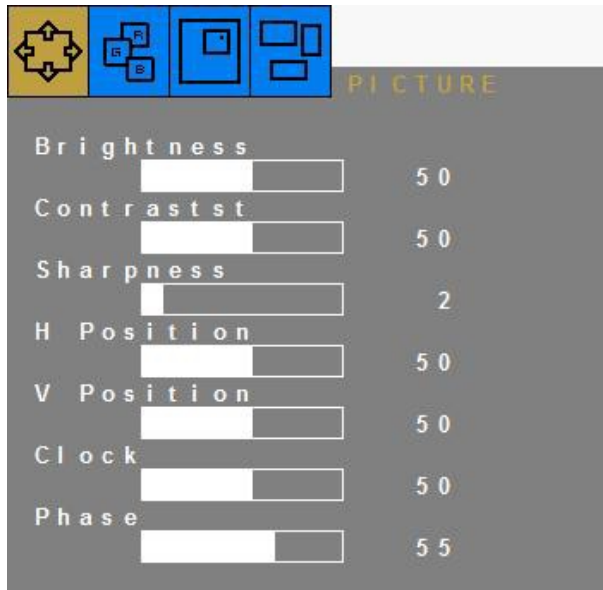
- **Power**  
Use the type of power indicated on the marking label.
- **Adapter**  
Only use an adapter designed of the LCD monitor.
- **Plug**  
Do not remove any of the prongs of the monitor's three-pronged power plug.  
Disconnect the power plug from the AC outlet if you will not use it for an indefinite period of time.
- **Power and extension cord**  
Use the proper power cord with ground conductor  
Do not overload wall outlets or power cords. Ensure that the total of all units plugged into the wall outlet does not exceed 7 amperes.  
Do not allow anything to rest on the power cord. Do not locate this product where persons will walk on the cord.
- **Care and maintenance**  
Slots and openings in the cabinet are provided for ventilation. Do not block or cover these openings. Do not push objects of any kind into cabinet slots or openings. The screen surface is easily scratched. Do not use paper towels to clean the display. Avoid touching it with your fingers, pens, or pencils.
- Turn off the AC adapter and the monitor over long periods when not in use.

## 1.5 OSD (On-Screen-Menu)



Button	Function	Status	Hot Key
POWER	Power ON or OFF		
LED	Indicate operation status	Green : Normal operation Red : Off Mode Amber : No valid input, Sleep mode Green Blinking: No Signal	-
UP	Select next menu item Increase slider value		Auto Configuration on no menu status
DOWN	Select previous menu item Decrease slider value		Auto Configuration on no menu status
SELECT	Select Highlighted function		Input Source Change on no menu status
MENU	On /Off OSD Menu		

## 1.6 OSD Menu



## OSD STRUCTURE

ITEM	Sub Menu	Description	Value		
Picture	Brightness	Adjust the backlight level of screen	50(0~100)		
	Contrast	Increase/ decrease picture contrast	50(0~100)		
	Sharpness	Control the clarity of details of pictures	2(0 ~ 4)		
	H Position	Adjust picture horizontal position	50(0~100)	RGB ONLY	
	V Position	Adjust picture vertical position	50(0~100)		
	Clock	Adjust picture width	50(0~100)		
	Phase	Adjust picture focus quality	30(0~100)		
Color	Color Status Management	Select the color of picture mode	User(User, Warm, Normal, ...)		
	Red	Adjust color of red rate	50(0~100)		RGB ONLY
	Green	Adjust color of green rate	50(0~100)		
	Blue	Adjust color of blue rate	50(0~100)		
	Auto Color	Auto color calibration	To Start		
OSD	Language	Select OSD menu language	English(English, Deutsh, Francais, Italiano, Espanol, ...)		
	H Position	Adjust the OSD horizontal position	50(0~100)		
	V Position	Adjust the OSD vertical position	50(0~100)		
	Transparency	Select the transparency of the OSD	33 (0~100)		
	OSD Time	Adjust the OSD menu timeout	10(3~30)		
SETUP	Source	Select the input signal Source	RGB, DVI, AUTO		
	Factory reset	Reset to factory settings	To Start		
	Aspect	On/ Off the fit to screen	Off(On/Off)		
	Backlight DIM	On/ Off the backlight Dimming(PWM)	Off(On/Off)		
	Set ID	On/ Off the RS232 control	Off(On/Off)	Optional	
	Volume	Adjust the audio volume	62(0~100)	Optional	
	Mute	On/ Off the audio output	Off(On/Off)	Optional	

## 1.7 Specifications

Color panel:	Black powder Coated (other colors on request)
Model:	15 inch XGA TFT LCD Monitor
Type:	15" Color Active Matrix TFT LCD (AUO G150XG03 V5)
Resolution (max):	1024 x 768 (XGA)
Color:	16,2 miljoen
Pixel:	0.297 x 0.297 mm
Brightness:	350 cd/m <sup>2</sup>
Contrast ratio:	700:1
Viewing angle:	85°/85° horizontal & 80°/80° vertikal
Respons time	8 ms
Active area:	304,1 (H) x 228,1 (V) mm
VGA input	Analog RGB (D-Sub 15-pins) + DVI
Plug and play:	Yes DDC1 /DDC2B
Power:	12 Volts. included Adapter
Power consumption:	<35 watt max.
Power consumption stand by:	<4 watt max.
Temperature operation mode:	0 °C - 50 °C
Humidity operation mode:	10% ~ 90% R.H.
Size	350x274x48mm (wxhxd)
Weight	3,3 Kg
Mounting:	VESA 75mm; (No bracket/ stand included in delivery; See: <a href="#">mounting brackets</a> )
Users Mode:	OSD Key: Menu / Select / Power / Down / Up
Compatibility:	VESA / IBM / MAC
<b>Options:</b>	
Standard delivery:	With PSU, EU power cable and 1.8 m DVI cable but without vesa stand. Other options than below on request.
Functionality:	With or without touch
- without touch:	Acrylic or glass
- with touch:	5 wire resistive, Surface Accoustic Wave or Projected Capacitive
Type of Touch:	Not sure what to use? Call us at +31 (0)45 5748190 or send us <a href="#">contactform</a>
- 5 wire resistive :	-Standard non-glare. -Touchable with finger, glove and stylus. -Single touch -activation force less than 40 gramm.
- SAW:	-Standard glare. -Touchable with finger and glove. -Single touch -activation force less than 85 gramm.
- Projected Capacitive:	-Standard glare. -Touchable with finger, glove and pcap stylus. -10 points touch -activation force less than 1 gramm.
External protection:	Standard IP44 or IP65 or higher (not for SAW)
Touch controller interface:	USB, RS232 with external power or RS232 with internal power
Video input:	VGA+DVI or VGA+DVI+AV.

**Specifications / Manual :**



**Dimensions :**



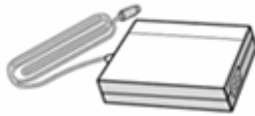
**Driver downloads :**



## 1.8 Contents of the Retail Package



Monitor



AC/DC Adapter (not 24V)



Power cord



VGA Cable (option)



DVI Cable



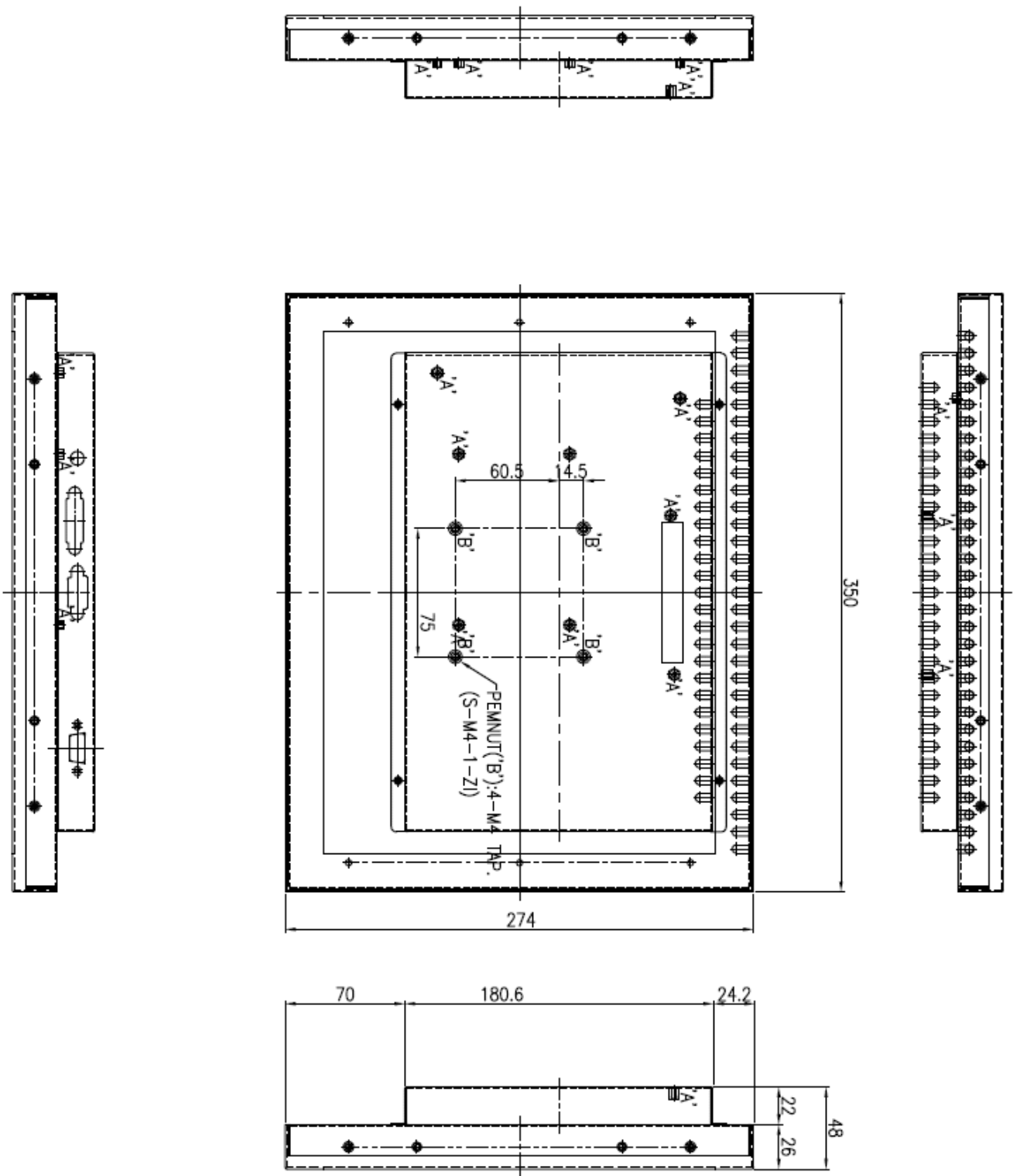
Touch Driver (option)

## 1.9 Troubleshooting

TO REDUCE THE RISK OF ELECTRIC SHOCK, DO NOT REMOVE COVER.  
NO USER-SERVICEABLE PARTS INSIDE.  
REFER SERVICING TO QUALIFIED SERVICE PERSONNEL.

- The monitor does not respond after you turn on the system.
- Make sure that the monitor is turned on.
- Turn off the power and check the monitor's power cord, AC adapter, and signal cable for proper connection.
- Appear the " No Input the Signal"
- Check the connecting of the audio cable between the monitor and the computer.
- Appear the " Input Not the Supported"
- Input signal are insuperable, reset the video mode.
- The appearance is not at the screen center.
- Use "AUTO ADJUST", refer to the Controls section.
- The characters on the screen are too dim or too bright
- Choose fit color temperature, use "AUTO COLOUR ADJUST or manually adjust
- "RGB ADJUSTMENT, refer to the Control section.

# 1.10 Drawing





## 2. Touch Options

### 2.0 Touch-options related to monitor size

	Resistive			SAW			CAP		PROJ. CAP	IR	Optical Touch
	4Wire	5Wire	Dual Touch	3mm	6mm	protected	3mm	6mm			
185"	X	O	X	S	S	X	S	S	O	S	X

Aviable     
  Not aviable     
  On demand

### 2.1 Option: 5-Wire-touchscreen

#### 5 wire-touchscreen Chemical resistance

non glare is standard, glare is option  
Acetone, ammonia-based glass cleaners, hexane, isopropyl alcohol, methylene chloride, mineral spirits, turpentine, methyl ethyl ketone

#### Vibration

Withstand 0.01 inches amplitude, at a frequency of 5 to 455 Hz, for a period of 15 minutes in each of the three axes

#### Contact bounce

less then 10ms

#### Electrostatic discharge protection

withstands 20 discharges of 15kV (pr EN 61000-4-2, 1995)

#### Activation force

less then 40gr

#### Input modus

Finger, glove hand, pen or stilus

#### Surface hardness

Meets pencil hardness 3H (per ASTM D3363)

#### Resolution

4096x4096 Based on controller resolution

#### Position accuracy (linearity)

less then 1%

#### Operating life 1

>3.000.000 (250gr, 2 activations/sec)

#### Operating life 2

>200.000 (250gr, 4.5mm/sec)

#### Light transmission

75~85% non glare (standaard) en 90% glare (optie) (per ASTM D1003)

#### 5 wire-controller

USB is standard, RS232 with PS/2 of RS232 internal powered is option

#### Power requirement

+5V DC(±10%)

#### Power consumption

Operating 80mA ~ Max.current 140mA

#### Interface standard

USB 'plug-and-play' compatible is standard

#### option

RS232 with PS/2 connector is option

#### option

RS232 internal powered controller. is option

#### Electrostatic protection

prEN 61000-4-2, 1995: Meets level 4 (15kV lucht / 8kV contact discharges)

#### Touch resolution

4096x4096

#### Conversion time

~10ms per coordinate set

#### Support operating system

Microsoft Windows: 95/98/ME/NT4.0/2000/XP/Vista/7

Mac OS 9.X, 10.X, Mac Intel

Linux: Red Hat 9.0, Mandrake 10.0, SuSE 9.2, Fedora

Corel &II &III, Yellow Dog 3.x, Kernel 2.4.X,

Kernel 2.6.X: 32 en 64 bits

### 2.2 Option: SAW-Touchscreen

#### SAW-touchscreen standard tempered option

3mm glass with beveled edge

Break resistance, meets UL-1950, by

6mm heat tempered glass (is option)

#### protected option

break resistance, dustproof, waterproof (is option)

#### Chemical resistance

Acetone, ammonia-based isopropyl alcohol, turpentine, methyl cleaners alcohol, methyl ethyl ketone, toluene, gasoline, kerosine,

<b>Electrostatic discharge protection</b>	vinegar. pr EN 61000-4-2, 1995: meets level 4 (15 kV air /8kV contact discharges)
<b>Activation force</b>	less then 85gr
<b>Position accuracy</b>	Standard deviation of error is less then ±1%
<b>Life performance</b>	>50.000.000 (finger)
<b>Input modus</b>	Finger or glove hand (rubber, cloth, leather)
<b>Surface durability</b>	Optical glass surface, Mohs' hardness rating : 7
<b>Light transmission</b>	90% (per ASTM D1003)
<b><u>SAW-controller</u></b>	
<b>Supply voltage</b>	+5V DC(±5%)
<b>Supply current</b>	Min 85mA ~ Max 150mA
<b>Electrostatic protection</b>	prEN 61000-4-2, 1995: Meets level 4 (15kV lucht / 8kV contact discharges)
<b>Interface -standard</b>	USB 'plug-and-play' compatible
<b>-option</b>	RS232 with PS/2 connector, is option
<b>-option</b>	RS232 internal powered. is option
<b>Touch resolution</b>	4096x4096
<b>Conversion time</b>	~15ms per coordinate set
<b>Reliability</b>	MTBF greater than 300.000 hours
<b>Support operating system</b>	Microsoft Windows: 95/98/ME/NT4.0/2000/XP/Vista/7 Mac OS 9.X, 10.X, Mac Intel Linux: Red Hat 9.0, Mandrake 10.0, SuSE 9.2, Fedora Corel &II &III, Yellow Dog 3.x, Kernel 2.4.X, Kernel 2.6.X: 32 en 64 bits

## 2.3 Option: Surface Capacitive-touchscreen

<b>CAP-touchscreen standard tempered version (option)</b>	3mm glass, glare is standard, non glare is option Break resistance, meets UL-1950, by 6mm heat tempered glass (is option)
<b>Chemical resistance</b>	Water, ammonia, isopropyl-alcohol, and similar non-abrasive cleaners do not use chemical solvent,acidic or alkali solutions
<b>Input method</b>	Finger
<b>Active force</b>	<10 gr
<b>Response time</b>	Max. 200ms
<b>Ball impact</b>	13,0Ø steel bal 9 gr height=30 cm
<b>Surface hardness</b>	Surface hardcoat cannot be scratched using any stylus with Mohs rating ≤6
<b>Linearity</b>	±1,5%
<b>Surface durability</b>	>160.000.000 touches without noticeable degradation
<b>Light transmission</b>	≥85% (accordance with ASTM D1003)
<b>Supply voltage</b>	5V DC
<b>Supply current</b>	Min 85mA ~ Max 150mA
<b>Interface standard</b>	USB 'plug-and-play' compatible
<b>option</b>	RS232 with PS/2 connector is option
<b>option</b>	RS232 internal powered controller. is option
<b>Touch resolution</b>	based on controller resolutionb 4096x4096
<b>Support operating system</b>	Microsoft Windows: 95/98/ME/NT4.0/2000/XP/Vista Macintosh OS9, OSX Linux: Red Hat 9.0, Mandrake 10.0, SuSE 9.2, Fedora Corel &II &III, Yellow Dog 3.x, Kernel2.4.2+, With GUI, Xfree86 4.3+, Kernel 2,3 and above, Command Line Only, Xfree86 3.3 and 4.2

## 2.4 Option: 10 pts Projected-capacitive-touchscreen

### Projected capacitive sensor

#### Glass

#### Chemical resistance

#### Contact bounce

#### Activation force

#### Input modus

#### Surface hardness

#### Resolution

#### Position accuracy (linearity)

#### Operating life

#### Light transmission

Float laminated glass, glare is standard, tempered is option.

Glass with black borders on back surface.

Acetone, ammonia-based glass cleaners, hexane, isopropyl alcohol, methylene chloride, mineral spirits, turpentine, methyl ethyl ketone, gasoline, kerosene, vinegar.

Around 5 ms for finger contact

No activation force needed

Finger, glove hand (rubber, cloth, leather)

Mohs' hardness rating: 7

2048x2048

less than 1%

∞

90% ±2%

### Projected capacitive controller

#### Power consumption controller

#### Interface

#### Operating Temperature

#### Relative Humidity

#### Resolution

#### Report rate

#### Response time

#### Support operating system

#### ( eGAlax\_eMPIA-controller)

USB is standard, RS232 (option)

50mA typical, 50mV peak to peak maximum ripple and noise

USB: 1,1 Full Speed ('plug-and-play' compatible is standard)

-25 to 80°C

95% at 60°C, RH Non-condensing

2048x2048

USB: Single touch Max. 200 points/sec

10 pts touch Max. points/sec each

Max. 20ms

Microsoft Windows: ME/2000, 9x/XP/Vista/7/8/10

CE 2.12/3.0/.net/5.0/6.0 ; Embedded ; XP Tablet PC edition

Mac OS 9, Mac OS X, (IBM, Intel CPU)

Linux: Red Hat (7.3/8.0/9.0), Mandrake (9.1/9.1/10) SuSE

(9.2, 9.3, 10, 10.1) Fedora (Core I, II, III, IV, V, VI)

Yellow (Dog 3.x), Debian (Kernel 2.4.X/2.6.X), Ubuntu (5.1, 6.06),

Mandriva (2005, 2006)

Android 2.0 – Google , Moblin V2 - Intel

QNX: RTOS v6.3

## 2.5 OPTION: IR TOUCH

#### Chemical resistance

#### Touch activation force

#### Input modus

#### Life performance

#### Supply voltage

#### Supply current

#### Interface standard

#### Electrostatic discharge protection

#### Touchpoint density

#### Light transmission

#### Conversion time

#### Support operating system

#### system

Acetone, ammonia-based glass cleaners, isopropyl alcohol, turpentine, methyl alcohol, methyl ethyl ketone, toluene, gasoline, kerosene, vinegar

no minimum touch activation is required

everything bigger than 6,5 (W) x 6,5 (H)

∞

+5V DC (±5%)

~ 150mA

RS232 baud rate: 9600, 8 data bits, 1 stop bit, no parity, full duplex  
prEN 61000-4-2, 1995: meets Level 4 (15kV air / 8kV contact discharges)

Based on controller resolution, up to 4096x4096

Over 90% (per ASTM1003)

less than 20 ms

Microsoft Windows: NT4.0/XP/Vista/7/2000/ME/98/95

Linux: Red Hat 9.0, Mandrake 9.1

### Interface



USB (standard)



RS232 with PS/2

## 3. Touch Options

### 3.0 Touchkit

Features for <i>Touchkit</i> software	
Calibration	Fast full oriental 4 points position
Compensation	Accuracy 25 points linearity compensation.
Draw Test	Position and linearity verification
Extend Feature	<ol style="list-style-type: none"><li>1. Support monitor / display rotation</li><li>2. Support multiple monitor / display</li><li>3. Support QVGA and Half-VGA function</li><li>4. Support edge compensation</li></ol>
Controller Setting	<ol style="list-style-type: none"><li>1. Support multiple controllers</li><li>2. Dynamical add / remove controllers</li><li>3. Change Controller interface without reboot.</li></ol>
Language	Support 10 languages for Windows
Mouse Emulator	<ol style="list-style-type: none"><li>1. Right / Left button emulation</li><li>2. Normal / Click on touch / Click on release mode</li><li>3. Auto right button</li></ol>
Sound Notification	<ol style="list-style-type: none"><li>1. Sound Option ( No Sound / Touch Down / Lift Up )</li><li>2. Frequency adjustment</li><li>3. Duration adjustment</li></ol>
Double Click	<ol style="list-style-type: none"><li>1. Configurable double click speed</li><li>2. Configurable double click area</li></ol>
OS support	<ol style="list-style-type: none"><li>1. Windows 95 / 98 / ME / NT4 / 2000 / XP / Vista Windows XP Tablet PC Edition</li><li>2. Windows CE 2.12, 3.0, 5.0, 6.0 .NET</li><li>3. Linux ( X Window Version: 3, 4 Red Hat 6.0 ~ 9.0 Mandrake 5.0 ~ 9.1 , Kernel 2.4.X Kernel 2.6.X, 32 en 64 bits )</li><li>4. iMac. OSX, OS9.X, OS10.X, Intel</li><li>5. MS-DOS: Support display resolution: 320x200, 640x200, 640x350, 640x480, 800x600, 1024x768 and 1280x1024</li></ol>
COM port support	<ol style="list-style-type: none"><li>1. Support COM 1 ~ COM 256 for Windows and Linux</li><li>2. Support COM 1 ~ COM 8 for DOS</li></ol>

### 3.1 ELO

By adding a jumper to the A-Touch controller, the whole system becomes ELO-compatible. The touch registration will be realised by ELO-drivers.

There are several reasons for doing this:

- You are already using application software with "build-in" ELO drivers.
- You are using clients with pre-installed ELO-drivers.
- You replace an original ELO-touch screen with an A1-touchscreen.

Then benefit is; you don't have to install new software in the above mentioned situation.

Remark:

If you want to change your driver software from touchkit to ELO, or the other way around, you have to de-install the old software completely before installing the new software.

## 4. Mounting

### 4.0 overzicht

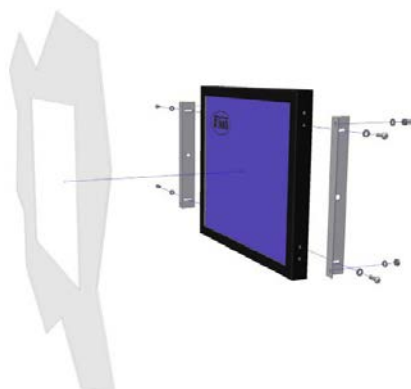
- 4.1. Plain
- 4.2. Brackets
- 4.3. Panel mounting
- 4.4. Wall mounting

### 4.1 Plain



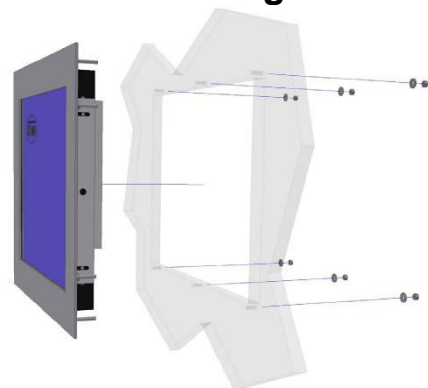
Metal case monitor

### 4.2 Brackets



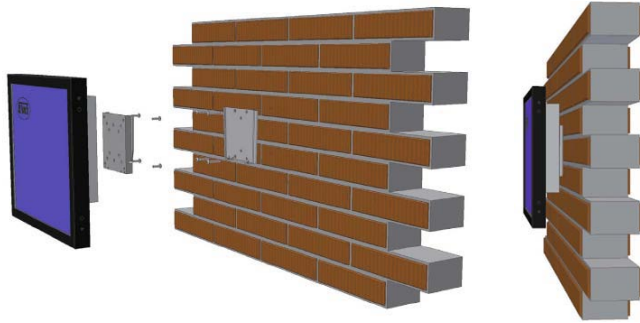
Metal case monitor + 2x brackets

### 4.3 Panel-mounting



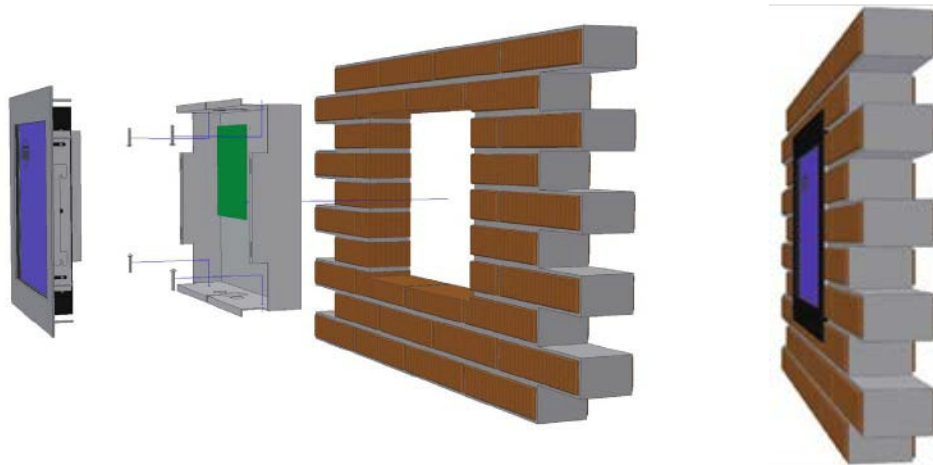
Metal case monitor + bezel + 2x brackets

#### 4.4 On-Wall mounting



Metal case monitor + New Star TV Wallmount (FPMA-W115)

#### 4.5 In-Wall mounting



#### 4.6 19 inch Rack mounting

