

# Specifications

## 13.3" PCAP TOUCHSCREEN MONITOR, 10 PTS

Model: BFR133



**A1Touch Solution BV**

Hogeweg 21  
NL-6367 BA Voerendaal  
The Netherlands

☎ : +31-(0)45 574 81 90

📄 : +31-(0)45 574 81 91

✉ : [info@A1TouchSolution.nl](mailto:info@A1TouchSolution.nl)

🌐 : [www.A1TouchSolution.nl](http://www.A1TouchSolution.nl)

## Delivery:

Standard delivery: Our touchscreen monitor standard includes: pcap touchscreen with integrated USB controller chassis mount with USB-A-A cable 1.5 meter and 220 – 12 Volt Power Supply.

## Options:

- VGA and/or HDMI cable
- Wall mount bracket, Desktop stand or brackets for rear mount installation.
- Stylus pen with holder

## Product Features:

- Bezel free design with glass surface.
- Precise multi-point (10 points) touching.
- Maintenance free.
- Complete metal monitor with strong stability.
- Supporting plug and play for win-7,-8 and -10. (Mac | Linux | Android with driver).
- Unit can be touched with finger, hand gloves or stylus pencil.
- Fast touch response (less than 10 ms).

## Specifications:

### General

Model:	BFR133
Size:	13.3"
Panel Type:	IPS
Backlight:	LED
Display colour:	262K
Color:	Black
Material:	Metal housing, Glass cover glass
Mounting Option:	VESA 75x75 and 100x100 mm
Video Inputs	Inputs: VGA/ HDMI/ BNC/ Composite/ USB

### Dimensions

Outside dimensions frame (wxhxd)	354*224*38 mm
Active area (wxh)	293.76*165.24 mm

### Display

Native resolution:	1920*1080 @60HZ
Ratio:	16:9
Contrast:	800:1
Brightness:	350 cd/m
Viewing Angle (H/V):	178/178
Backlight life:	Min.15.0000 hrs
Control:	OSD Control

## Touchscreen

Touch Technology:	Projected capacitive Touch (G+G)
Detected touches	10 touches.
Response time:	<10ms
Input Method:	Finger, hand gloves, or conductive stylus
Touch times:	Unlimited
Touch Activation Force:	No minimum touch activation force is required.
Controller type:	EETI chipset 31xx
Operating System Support:	Windows2000, XP, 7, 8, 10, Android, MAC and Linux.

## Environment

Temperature:	Operating: 0°C ~ 50°C Storage: -20°C ~ 60°C
Relative Humidity:	Operating: 90%(non-condensing at max 40°C) Storage: 90%(non-condensing at max 40°C)
Altitude:	Up to 3000m

## Electrical

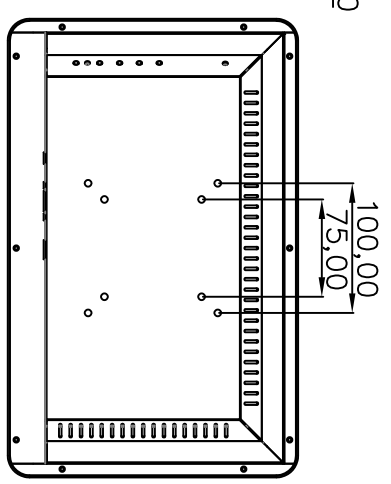
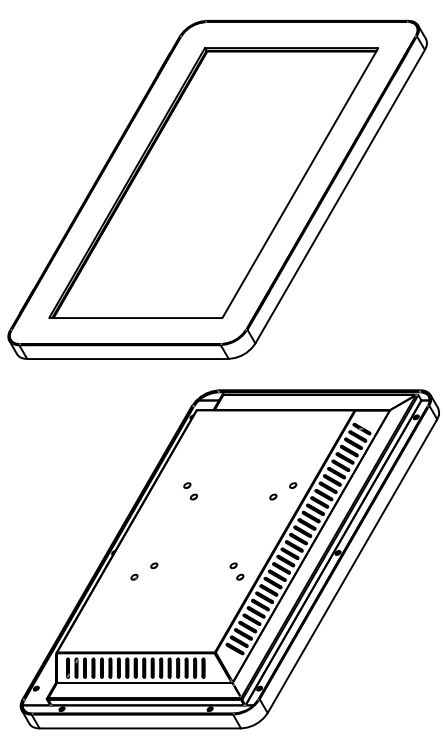
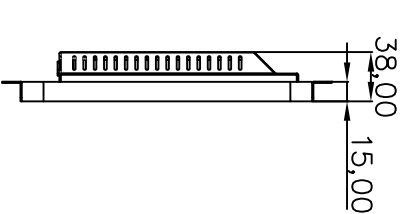
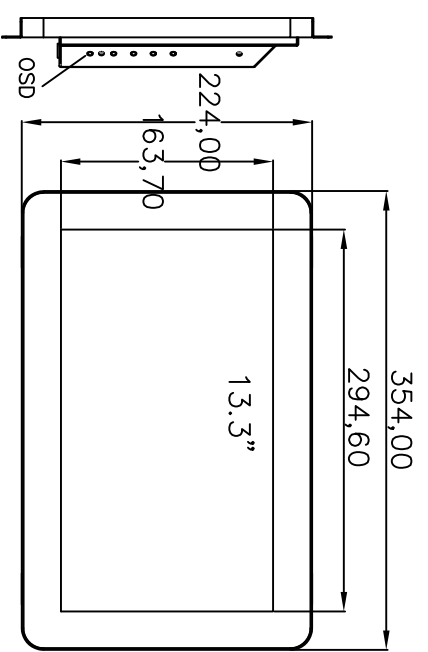
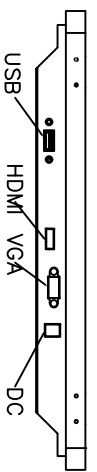
Scan frequency:	60Hz
Operation Voltage:	Typical +DC 12V, +/- 10% (24 volt option).
Power Supply:	110-220V AC to 12Volt DC, min. 2A
Power:	6.4 W

## Packing

Agency Approvals:	CE, FCC, RoHS
Weight net.:	2.02 kg

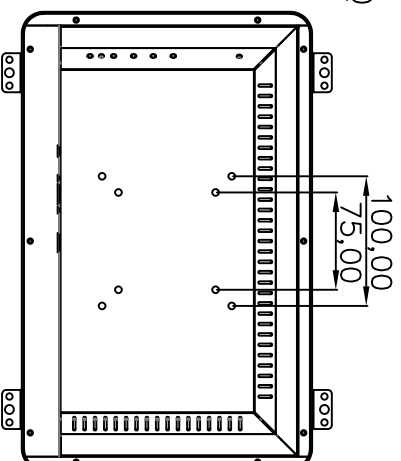
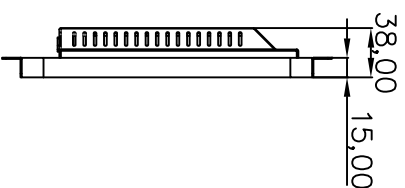
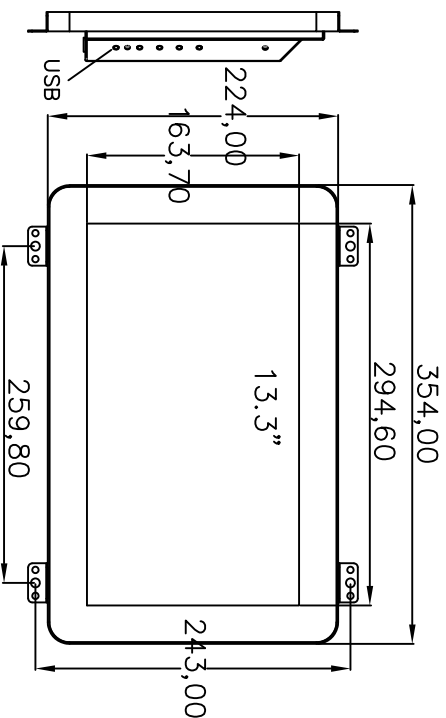
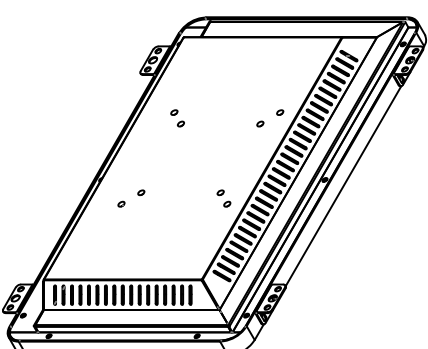
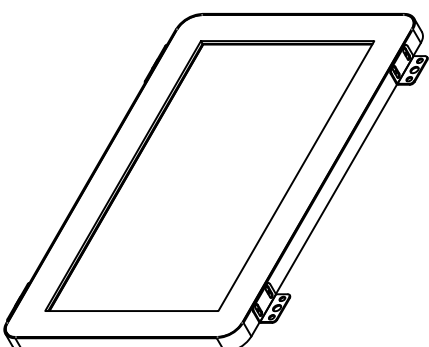
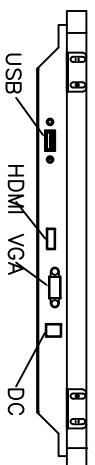
## Applications:

Multimedia system	POS system
Exhibition	Education training
Public query machine	Self-service machine
Surveillance system	And more



Pos.nr.:	Aantal	Title/Name, designation, material, dimension etc	-	
Getekend door	Gecontroleerd	Goedgekeur - datum	File naam	Datum
OL	XX	XXX	BFR-Wallmount	03-09-2019

A1 Touch Solution BV		BFR133-wallmount		
		BFR133v1	Revisie	Blad
			0	1/1
				Schaal
				1:2
				Formaat
				A3



Pos.nr.:	Aantal	Title/Name, designation, material, dimension etc	-
Getekend door OL	Gecontroleerd XX	Goedkeur - datum XXX	File naam BFR133-reamount
			Datum 03-09-2019

A1 Touch Solution BV

BFR133-Rear-mount

BFR133v1

Revisie  
0

Blad  
1/1

Formaat  
A3