

A Touch Technologies Co., Ltd.



Specification of Surface Acoustic Wave USB Control Board

Model : SAWUSB



A. Application

This specification applies to the following USB Control Board for Surface Acoustic Wave Touch Panel.

B. Environmental Conditions

1. Operating Temperature Range

0°C ~ 65°C

2. Operating Humidity Range

10%~90% RH (no dew falls)

3. Storage Temperature Range

-25°C ~ 85°C

4. Storage Humidity Range

10%~90% RH (no dew falls)

5. Operating Altitude

10,000 feet (3048m)

6. Shock and Vibration

Three axis sine wave, 50 Hz to 2kHz, 1G, 2 minutes / Octave with dwell on resonances.

7. Flammability

The PCB substrate and all plastic components, such as headers and connectors are rated UL 94 V0.

C. Electrical Characteristics

1. Supply Voltage

+5VDC (+4.75V to +5.25V)

2. Supply Current

85 mA, typical at +5V DC

Max. current : 150 mA



SURFACE ACOUSTIC WAVE USB CONTROL BOARD

3. Electrostatic Protection

Per EN 61000-4-2, 1995 : Meets Level 4
(15 kV air / 8 kV contact discharges).

4. Interface

USB 1.1/ 2.0
Plug and play compatible

5. Touch Resolution

4096x4096, size independent

6. Conversion Time

Approximately 15 ms per coordinate set

7. Reliability

MTBF greater than 300,000 hours
per MIL-HDBK-217-F2 using the part stress calculation method for
ground benign environment with an ambient temperature of 25°C

D. Mechanical Characteristics

1. Construction

Four-layer surface-mount design with internal ground plane for EMI
suppression.

2. Dimensions

PCB 87 x 56 x 11.1 mm
Refer to Appendix A

3. Standard Cables, Connectors and Pin Definitions

Standard external USB cable connecting the SAW USB controller with
the computer USB port : Refer to Appendix B

USB Output Connector : P2

2.0 pitch 4 pin connector on board for connection with USB port.

Refer to Appendix A

Touchscreen Connector : P3

A dual row by six position header with 0.635 mm square pins
spaced on 2.54 centers for connection with touch panel.

Refer to Appendix A



E. LED Diagnostic Characteristics

A red LED indicates controller status as follows:

Action & Condition	LED status	Function
The control board is connected with host, not touch panel yet.	Light continuously	The control board is normal condition.
No touch	Snuff out	Untouched state
Touch	Light	Touched state

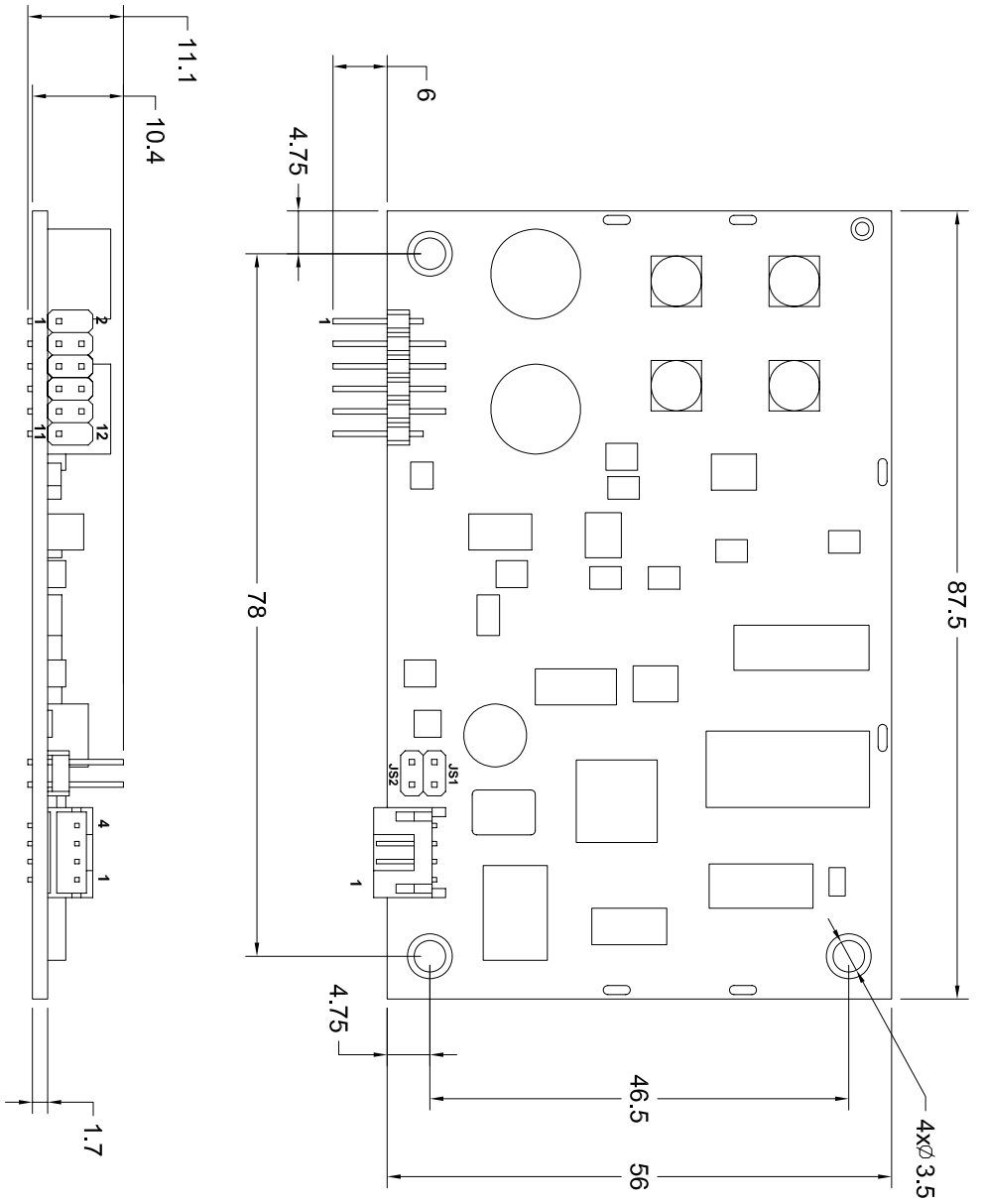
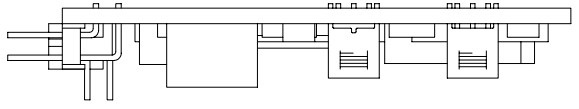
F. Software Driver

Under Windows : Mouse emulation

Support Operating System

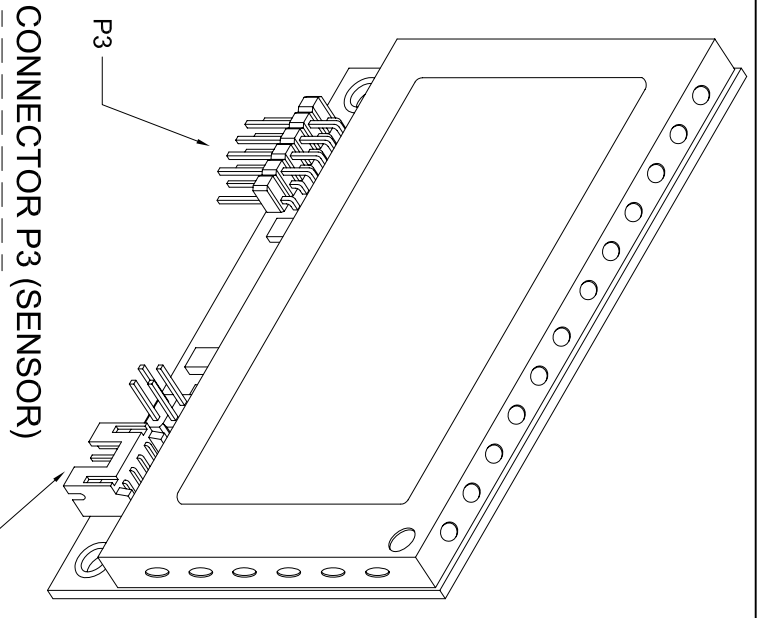
- Microsoft Windows NT4.0/XP/2000/ME/98/95
- Linux : Red Hat 9.0 , Mandrake 10.0, SuSE9.2
Fedora Core I & II & III, Yellow Dog 3.x

Appendix A Dimension Drawing and Pin Definitions of Connectors



CONNECTOR P2

PIN #	SIGNAL NAME
1	GND
2	D+
3	D-
4	+5V

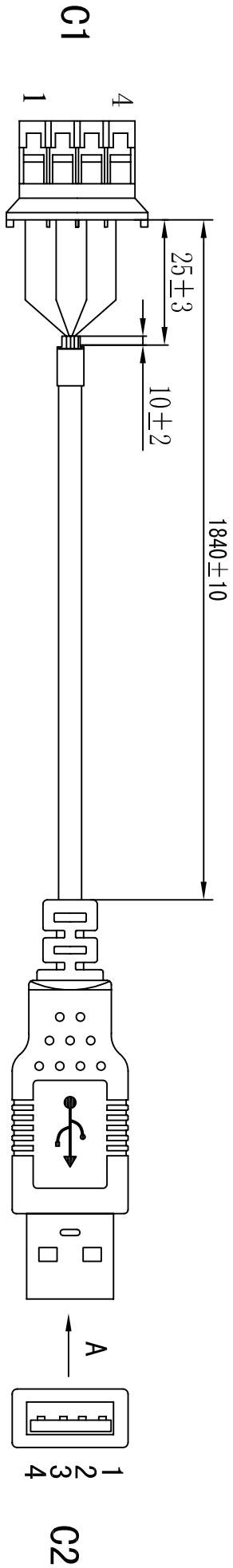


CONNECTOR P3 (SENSOR)

PIN #	SIGNAL NAME
1	GND
2	NC
3	Y-R
4	Y-T
5	Y-R'
6	GND
7	GND
8	GND
9	X-R
10	X-T
11	X-R'
12	NC

宇鴻光電股份有限公司 ATouch Technologies Co., Ltd.			
P/N:	SAWUSBDAS	ISSUE DATE	09/12/05
DRAWN BY	HATTIE	DIMENSION UNIT	mm
CHECKED BY	ANSON	SCALE	NOT TO SCALE
REV	A	REV	A

Appendix B Standard External USB Cable



PIN ASSEMBLY

	C1	C2	
+5V	4	1	RED
D-	3	2	WHITE
D+	2	3	GREEN
GND	1	4	BLACK

CONNECTOR:

C1: 2.0 PITCH 4PIN HOUSING COLOR: BLACK.

C2: USB A MALE PVC MOLDED COLOR: BLACK.

CABLE:

UL2464 #26*4C+AE OD: 5.0mm COLOR: BLACK.

CORE:

12*5.6*20mm PVC MOLDED COLOR: BLACK

宇鴻光電股份有限公司 ATouch Technologies Co., Ltd.	
DESCRIPTION: USB A M/PH-4	ISSUE: 05/9/27
PART No.: CABUSB6B5	PAGE: 1 OF 1
DRAWN BY: HATTIE	REV: A
CHECKED BY: ANSON	UNIT: mm